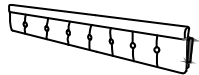
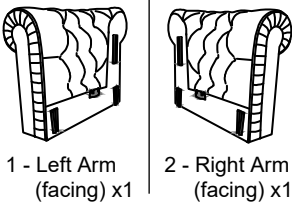


USE AND MAINTENANCE

- Use on level surfaces only
- Because this product needs assembly, it is prone to working itself loose from time to time depending on the use. Please take the time to check that all connections are still tight and working properly for safety.
- Only clean using a damp cloth and mild detergent, do not use bleach or abrasive cleaners.

Emery Chesterfield Loveseat

PART LIST



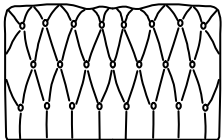
3 - Front Rail x1



4 - Rear Rail x1



5 - Seat Support x1



6 - Backrest x1



7 - Seat Cushion x2

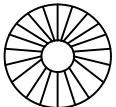


8 - Leg x4



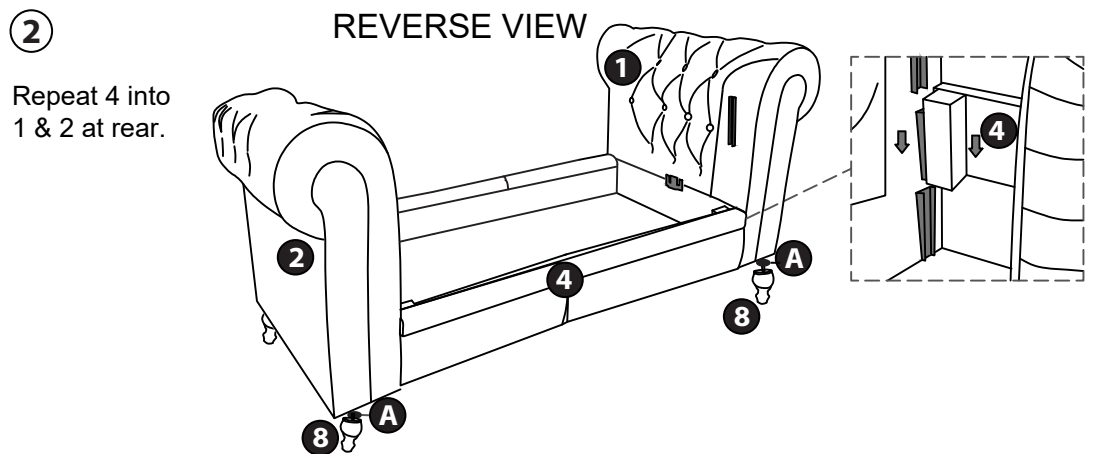
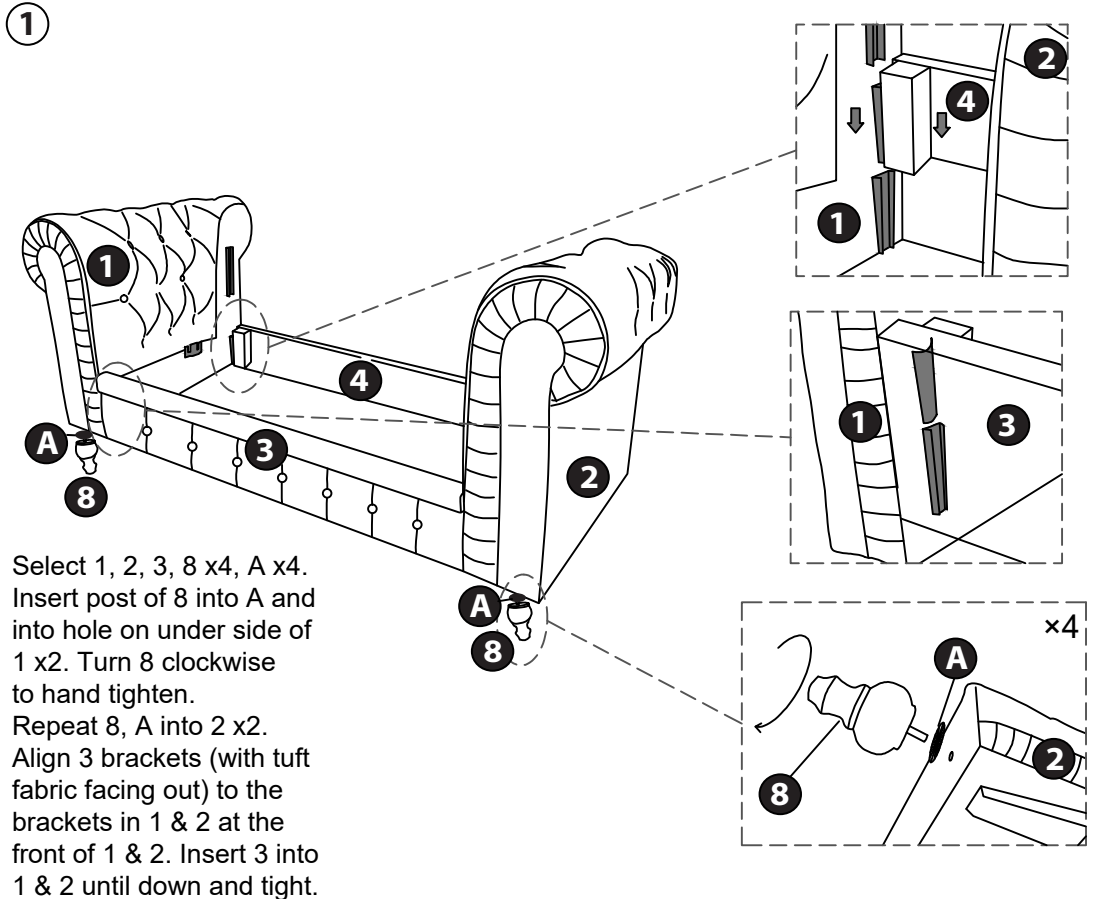
9 - Center Leg x1

HARDWARE



A - Fabric Protector x5

Assembly Instructions



If you need help or have damaged or missing parts, contact customer service at www.NaomiHome.com.

USE AND MAINTENANCE

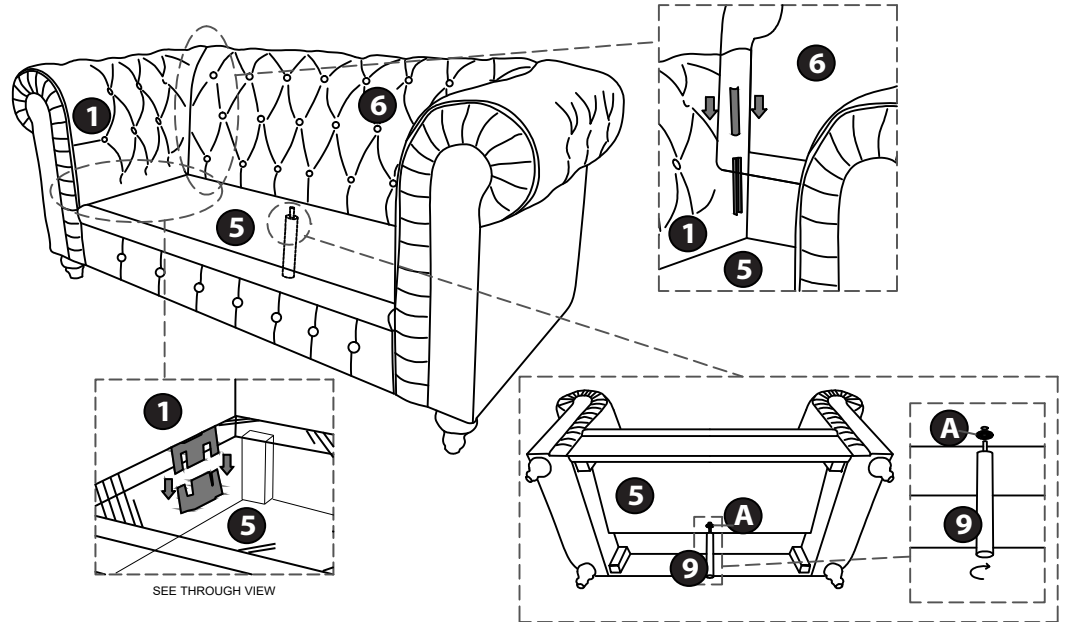
- Use on level surfaces only
- Because this product needs assembly, it is prone to working itself loose from time to time depending on the use. Please take the time to check that all connections are still tight and working properly for safety.
- Only clean using a damp cloth and mild detergent, do not use bleach or abrasive cleaners.

Emery Chesterfield Loveseat

Assembly Instructions

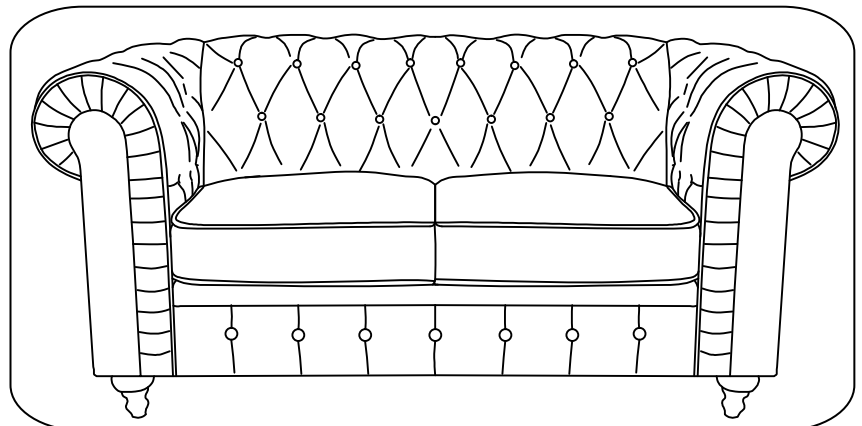
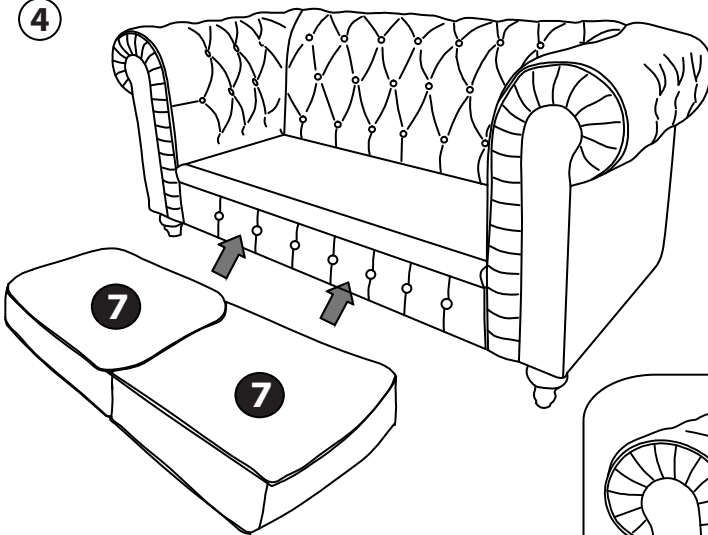
③

Select 5, 6, 9, A.
 Insert 9 into A and into center hole on 5 and turn clockwise to tighten. Align brackets on 5, 1 & 2.
 Insert bracket on 5 into bracket on 1 until it clicks.
 Repeat for 5 into bracket on 2.
Two person team lift.
 Align brackets on 6, 1 & 2.
 Insert bracket on 6 into 1 & 2 until stops. Lightly lift back to ensure tight.



④

Select 7. Insert 7 x2 into loveseat assembly.



Congratulations! Setup of your new Naomi Home Emery Chesterfield Loveseat is Complete!