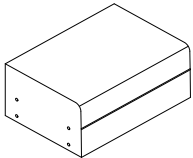


### USE AND MAINTENANCE

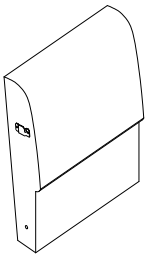
- Use on level surfaces only
- Because this product needs assembly, it is prone to working itself loose from time to time depending on the use. Please take the time to check that all connections are still tight and working properly for safety.
- Only clean using a damp cloth and mild detergent, do not use bleach or abrasive cleaners.

## Elaina Two-Seater Rocker

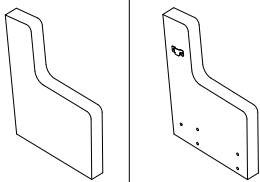
### PART LIST



1 - Seat Base x1



2 - Back Rest x1



3 - Right Arm (Seated) x1  
4 - Left Arm (Seated) x1



5 - Legs x2

### HARDWARE



A - Long Bolts (x4pcs)  
1/4" x 75mm (1/4" x 3")



B - Short Bolts (x14pcs)  
1/4" x 63mm (1/4" x 2.5")



C - Spring Washer (x18pcs)



D - Flat Washer (x14pcs)

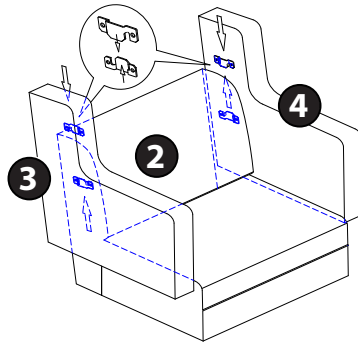
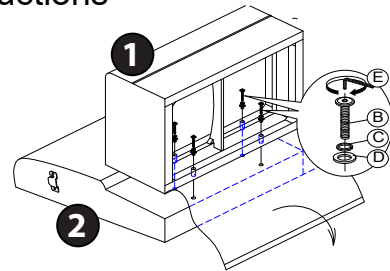
(1 pc)



E - Allen key

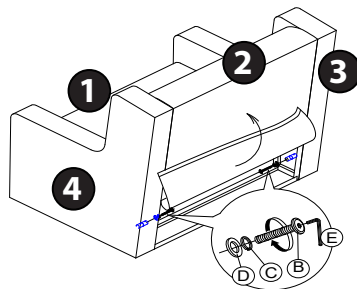
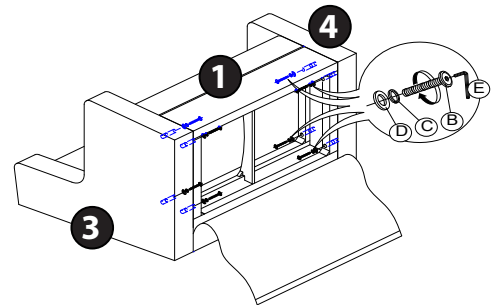
### Assembly Instructions

- Place 2 - Back Rest on a clean, smooth surface. Open the fabric lining on 1 - Seat Base. Align the holes of Seat Base with holes of Back Rest. Insert B - Bolt into C - Spring Washer, D - Flat Washer and then through hole on 1 into hole of 2 and finger tighten. Repeat other 3 holes and use E - allen key to tighten all 4 bolts.

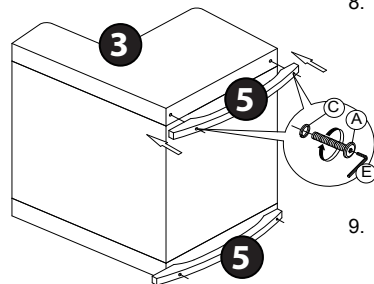


- Tilt assembly upright. Attach 3 - Right Arm (seated) to 2 - Back Rest by inserting the metal mount bracket on 3 - right arm into metal glide on 2 - Back Rest. Push the arm with downward force to secure it.
- Repeat step to attach 4 - Left Arm to Back Rest.

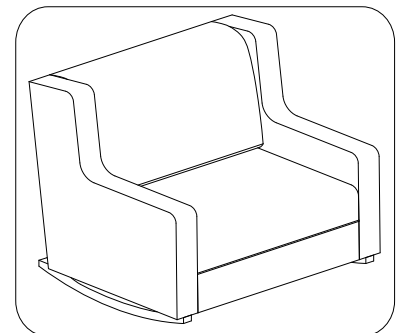
- 2 Persons work together and tip the assembly again on its back. Align the holes of 3 - right arm with holes of 1 - seat base. Insert B - Bolt into C - spring washer, D - flat washer and through hole in 1 - seat base into 3 - right arm and finger tighten. Repeat for (3) additional holes in 3 - right arm.
- Repeat step 4 for 4 - Left Arm. Use E - Allen Key to tighten all bolts in 3 - Right Arm, and 4 - Left Arm.



- Tip the chair assembly upright. Lift the back fabric to locate 1 additional hole in the right arm. Insert B - Bolt into C - spring washer, D - flat washer and through hole in 1 - seat base into 3 - right arm and finger tighten.
- Repeat for left arm. Use E - Allen Key and tighten all bolts.



- Tip the seat assembly on its left (seated) side as shown. Align 5 - legs with support extension facing back of chair (shorter end at the front). Insert A - Bolt into C - Spring Washer, through hole in 5 - leg and into hole on 3 - right arm and finger tighten.
- Repeat step for other 5 - leg into 4 - left arm. Use E - Allen Key to tighten all bolts in both legs.



10. Congratulations! Setup of your new Naomi Home Elaina Two - Seater Rocker is Complete!