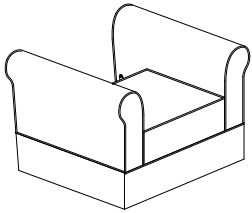


USE AND MAINTENANCE

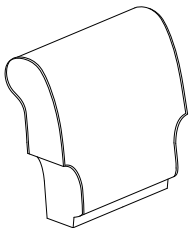
- Use on level surfaces only
- Because this product needs assembly, it is prone to working itself loose from time to time depending on the use. Please take the time to check that all connections are still tight and working properly for safety.
- Only clean using a damp cloth and mild detergent, do not use bleach or abrasive cleaners.

Georgia Rocker and Ottoman Set

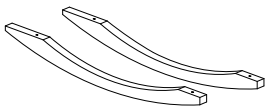
PART LIST



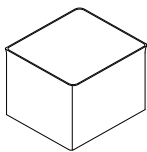
1 - Seat Base x1



2 - Back Rest x1

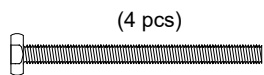


3 - Leg x2



4 - Ottoman x1

HARDWARE



(4 pcs)

A - Bolts.
1/4" x 75mm (1/4" x 3")

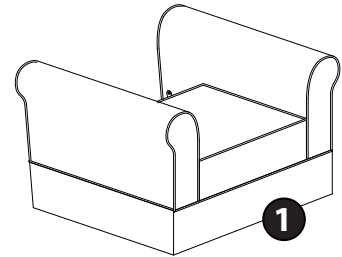
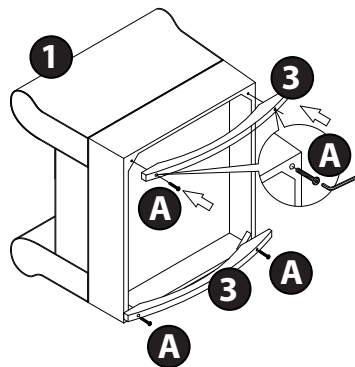


(1 pc)

B - Allen key

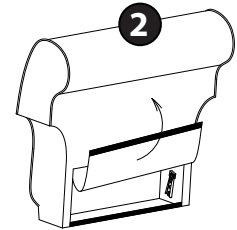
Assembly Instructions

1. Unpack 1 - Seat Base and turn over upside down. Remove any packing straps or materials from underside of Seat Base securing the footrest from opening.

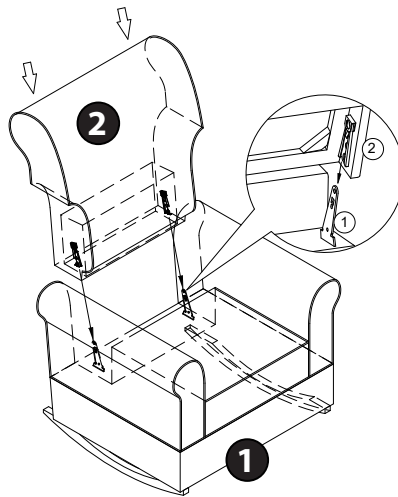


2. Tip the seat base on its right (seated) side as shown. Align legs 3 (x2) with support extension facing back of chair (shorter end at the front). Insert bolt A into hole in part 3 and use allen key (included) to tighten.

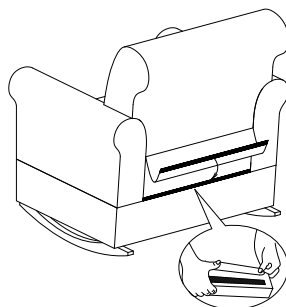
3. Select 2 - Back Rest
Open back fabric



4. Select 1 - Seat Base and 2 - Back Rest. With Backrest curve facing outward, carefully align backrest mounts to seat-base mounts. Insert lower base mounts into back rest mounts until they latch and backrest is secured to seat-base. Exercising Caution, Carefully lift upward on the backrest to confirm backrest is secured.



5. Close the back fabric



6. Position the 4 - Ottoman

7. Congratulations!
Setup of your new Naomi Home Georgia Rocker and Ottoman Set is complete!

