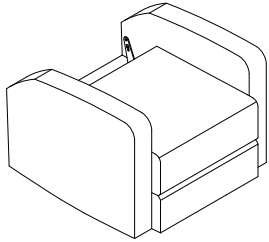


USE AND MAINTENANCE

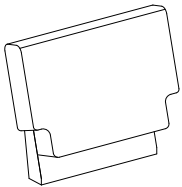
- Use on level surfaces only
- Because this product needs assembly, it is prone to working itself loose from time to time depending on the use. Please take the time to check that all connections are still tight and working properly for safety.
- Only clean using a damp cloth and mild detergent, do not use bleach or abrasive cleaners.

Comfy Reclining Chair

PART LIST



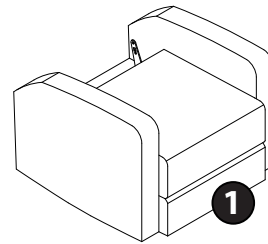
1 - Seat Base x1



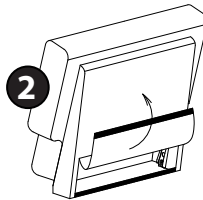
2 - Back Rest x1

Assembly Instructions

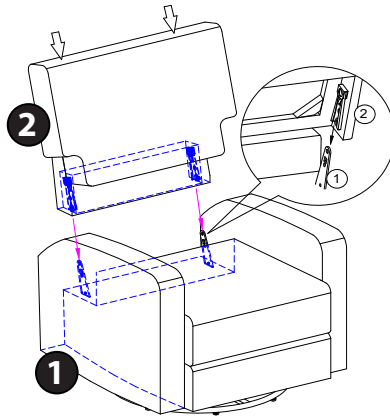
1. Unpack 1 - Seat Base and turn over upside down. Remove any packing straps or materials from underside of Seat Base securing the footrest from opening.



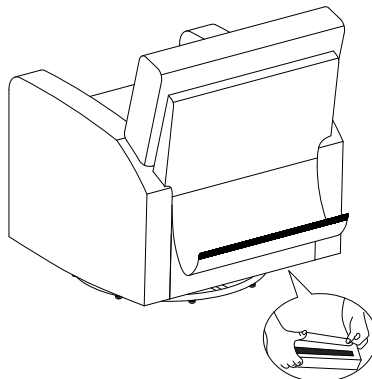
2. Select 2 - Back Rest. Open back fabric



3. Select 1 - Seat Base and 2 - Back Rest. With Backrest Buttons facing inward, carefully align backrest mounts to seat-base mounts. Insert lower base mounts into back rest mounts until they latch and backrest is secured to seat-base. Exercising Caution, Carefully lift upward on the backrest to confirm backrest is secured.



4. Close the back fabric



5. Congratulations! Setup of your new Naomi Home Comfy Reclining Chair is complete!

