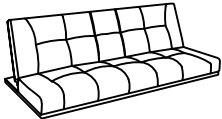


USE AND MAINTENANCE

- Use on level surfaces only
- Because this product needs assembly, it is prone to working itself loose from time to time depending on the use. Please take the time to check that all connections are still tight and working properly for safety.
- Only clean using a damp cloth and mild detergent, do not use bleach or abrasive cleaners.

Futon Sofa Bed with Cup Holders

PART LIST



1 - Futon Assembly x1



2 - Arm Rest x2



3 - Front Leg x2



4 - Rear Leg x2

HARDWARE



A - Bolt x8



B - Washer x8

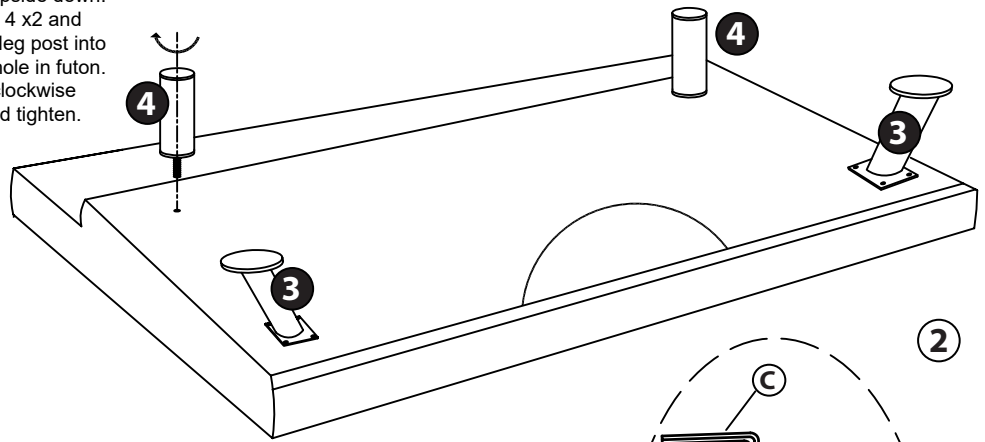


C - Allen Wrench x1

Assembly Instructions

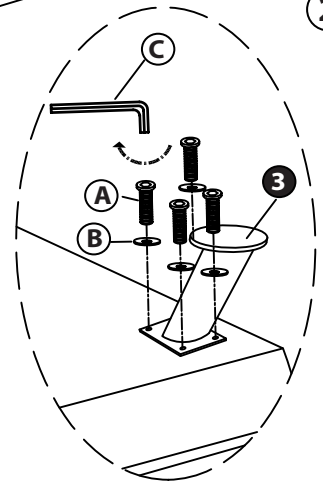
1

Select and lay flat 1 assembly and turn over upside down. Select 4 x2 and insert leg post into back hole in futon. Turn clockwise to hand tighten.

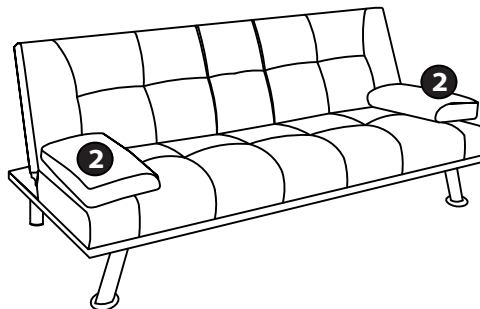


2

Select 3, A Bolts x4, B Washer x4. Insert A Bolt into B Washer and through hole in 3 then mount 3 to part 1 Assembly. Ensure the leg orients to point outward for proper support.



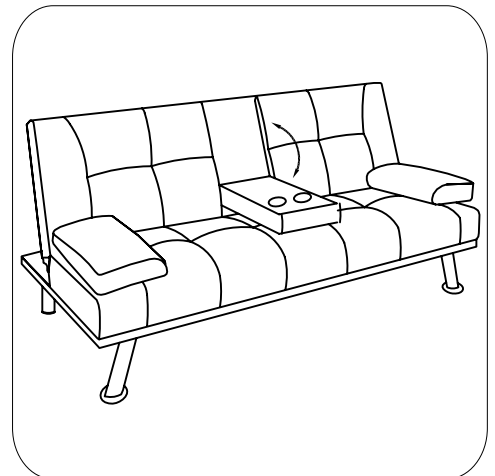
3



Select 2, and insert arm pads into position. **Pull down center console with cup holders.**

Note:
To sleep - pull backrest forward until it clicks to release and then push backward to lay flat.

To Recline:
Lay flat to sleep, then pull up into desired recline position.



Congratulations! Setup of your new Naomi Home Futon is Complete!