

USE AND MAINTENANCE

- Use on level surfaces only
- Because this product needs assembly, it is prone to working itself loose from time to time depending on the use. Please take the time to check that all connections are still tight and working properly for safety.
- Only clean using a damp cloth and mild detergent, do not use bleach or abrasive cleaners.

Serena Drafting Chair

PART LIST



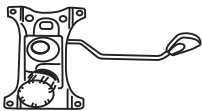
1 - Back Rest x1



2 - Seat Cushion x1



3 - Arm Rest Right (seated) x1
4 - Arm Rest Left (seated) x1



5 - Seat Mechanism x1



6 - Chair Base x1

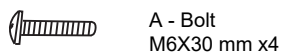


7 - Lifter x1 8 - Caster x5



9 - Footrest x1

HARDWARE



A - Bolt M6X30 mm x4



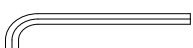
B - Bolt M6x35 mm x4



C - Bolt M6x18 mm x4

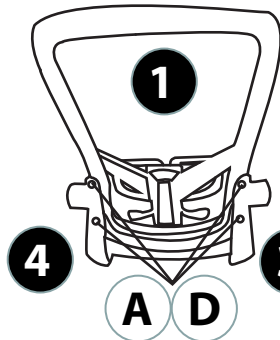


D - Cap x4

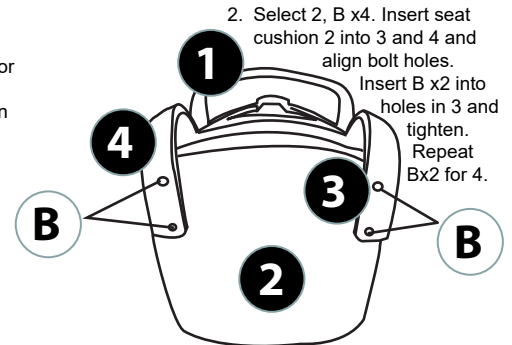


E - Allen key

Assembly Instruction

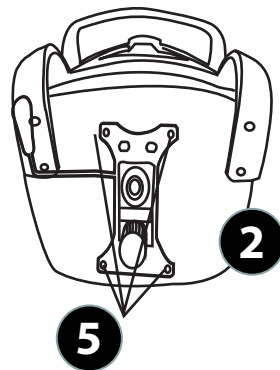


1. Select 1, 3, 4, A x4, D x4. Facing the rear side of the part 1 back rest with the mesh or fabric facing away from you, align part 3 the right arm rest on the right with the pad facing up. Insert medium sized Bolt A into the 2 back facing holes in part 3 and tighten with allen wrench. Place a cap D x2 in each hole of part 3. Repeat step for part 4 with 2 A bolts; tighten with allen wrench and insert 2 D caps.

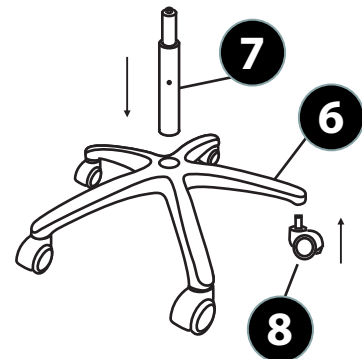


2. Select 2, B x4. Insert seat cushion 2 into 3 and 4 and align bolt holes. Insert B x2 into holes in 3 and tighten. Repeat Bx2 for 4.

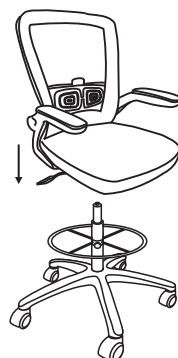
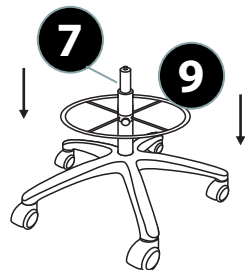
3. Select 5, C x4. Align 5 Seat Mechanism to the underside of 2 with the curved end facing toward the backrest. Insert C bolt x4 into each corner hole and tighten.



4. Select 6, 7, 8 x5. Locate the caster hole at the end of each point in the under side of the chair base. Insert Casters 8 x5 into underside of chair base. It will be snug when sliding in the caster until a small pop is felt. Turn chair base upright on casters. Center lifter with wider end over the center chair base hole and push downward.



5. Select 9. Slide footing down over the lifter and hand tighten. Use knob to adjust to desired height.
6. Align Seat Mechanism lifter hole over the top of the lifter. Press down on seat to secure. Sit in chair and weight will secure lifter into chair base. You may hear a pop. Use lifter arm to adjust height.



7. Assembly Directional Arrows should point same direction. Ensure all screws are fully tightened before using chair. Tighten each month for maintenance.



8. Congratulations! Setup of your new Naomi Home Serena Drafting Chair is complete!

WARNING: Do not stand on the chair for any purpose.

If you need help or have damaged or missing parts, contact customer service at www.NaomiHome.com Made in China