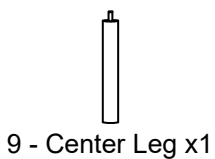
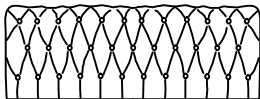
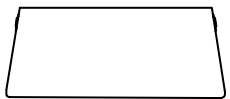
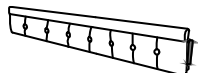
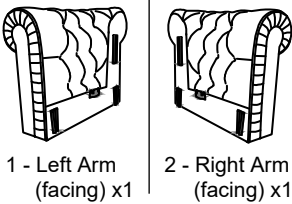


USE AND MAINTENANCE

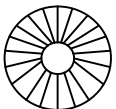
- Use on level surfaces only
- Because this product needs assembly, it is prone to working itself loose from time to time depending on the use. Please take the time to check that all connections are still tight and working properly for safety.
- Only clean using a damp cloth and mild detergent, do not use bleach or abrasive cleaners.

## Emery Chesterfield Sofa

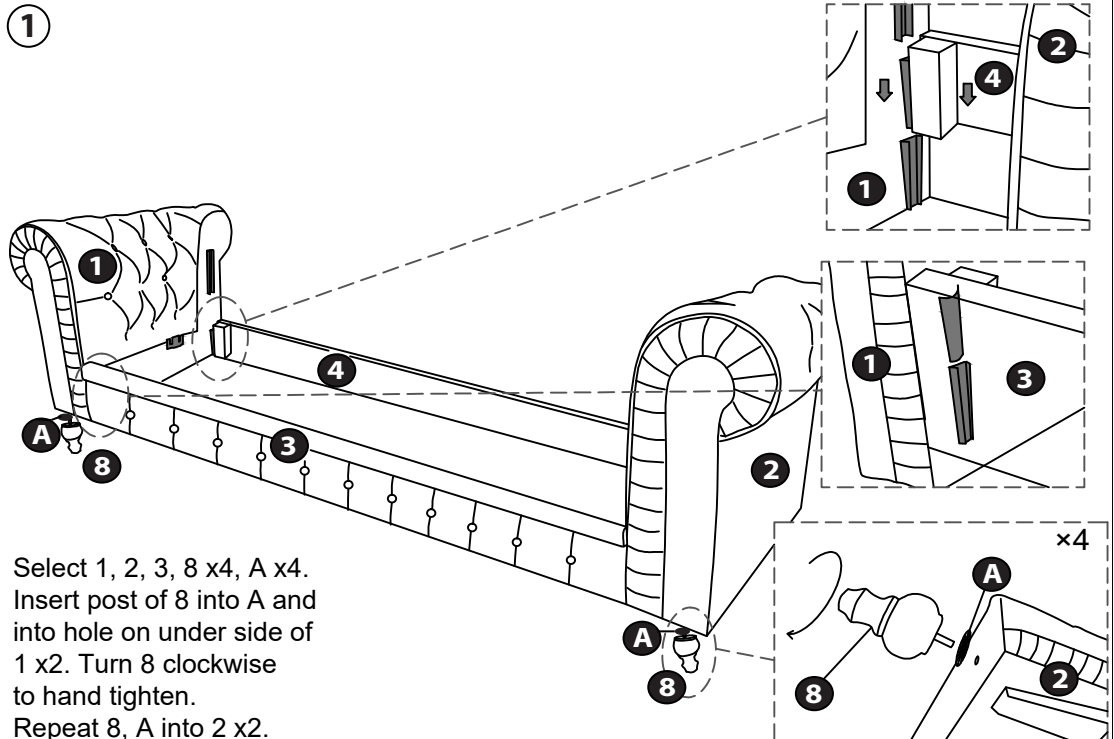
PART LIST



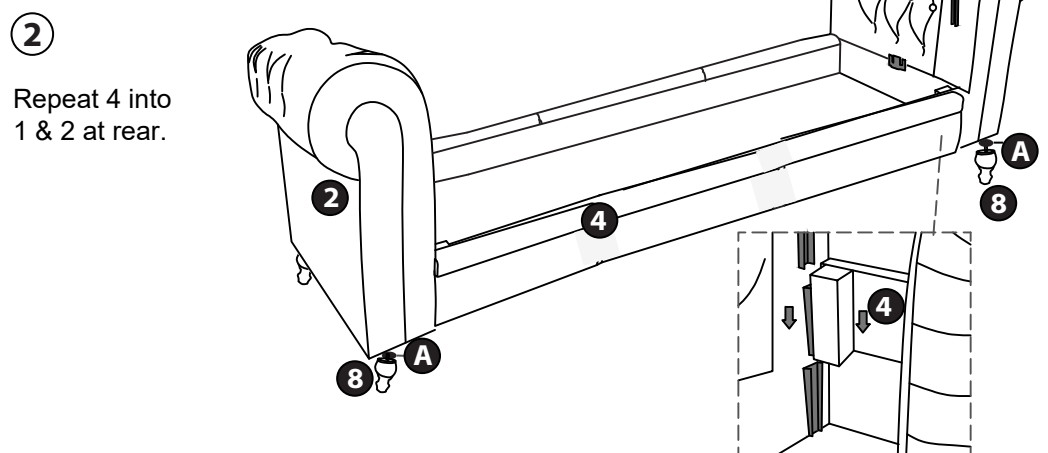
HARDWARE



Assembly Instructions



REVERSE VIEW



If you need help or have damaged or missing parts, contact customer service at [www.NaomiHome.com](http://www.NaomiHome.com).

**USE AND MAINTENANCE**

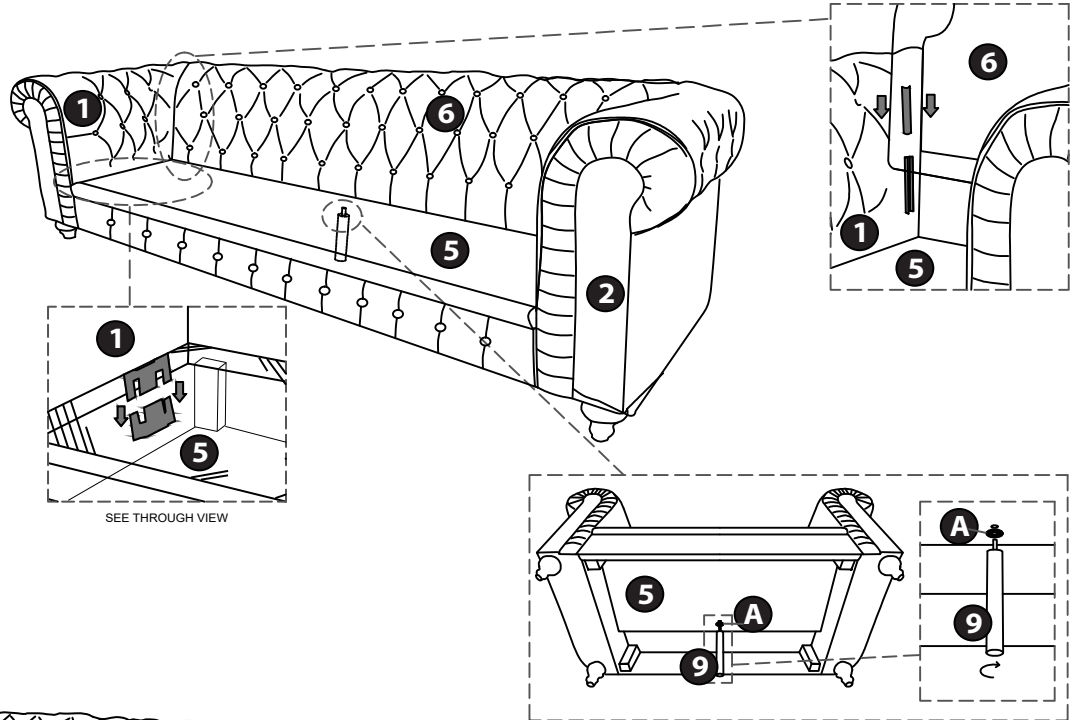
- Use on level surfaces only
- Because this product needs assembly, it is prone to working itself loose from time to time depending on the use. Please take the time to check that all connections are still tight and working properly for safety.
- Only clean using a damp cloth and mild detergent, do not use bleach or abrasive cleaners.

**Emery Chesterfield Sofa**

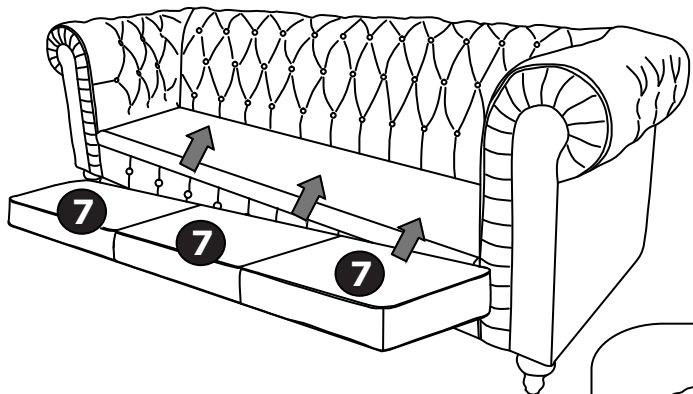
**Assembly Instructions**

**3**

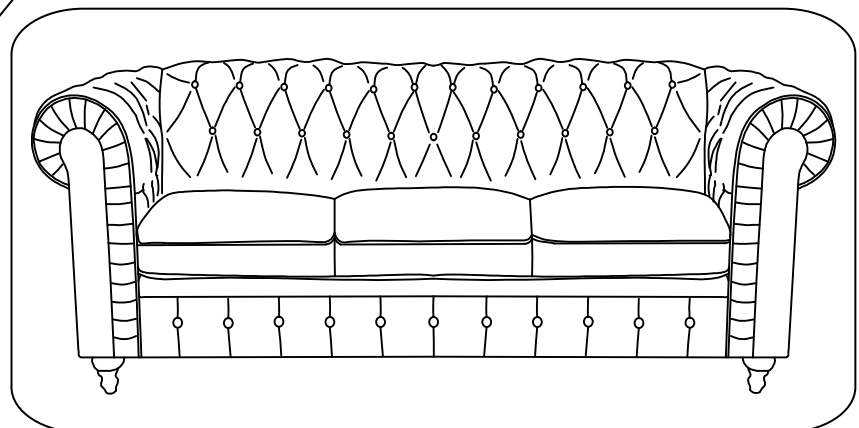
Select 5, 6, 9, A.  
 Insert 9 into A and into center hole on 5 and turn clockwise to tighten. Align brackets on 5, 1 & 2.  
 Insert bracket on 5 into bracket on 1 until it clicks.  
 Repeat for 5 into bracket on 2.  
**Two person team lift.**  
 Align brackets on 6, 1 & 2.  
 Insert bracket on 6 into 1 & 2 until stops. Lightly lift back to ensure tight.



**4**



Select 7. Insert 7 x3 into sofa assembly.



Congratulations! Setup of your new Naomi Home Emery Chesterfield Sofa is Complete!